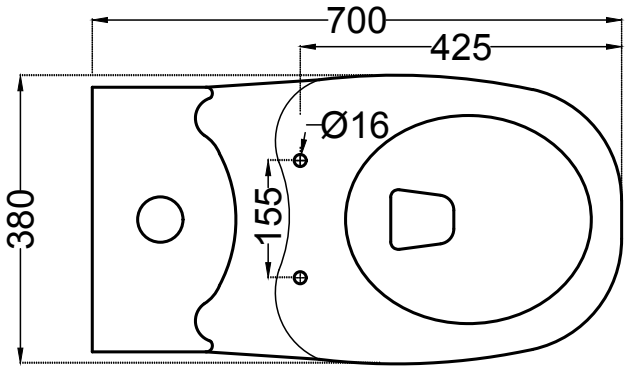
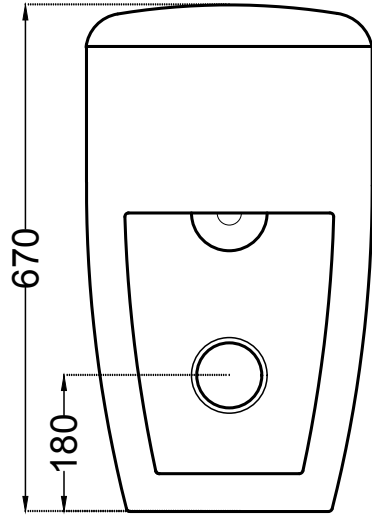


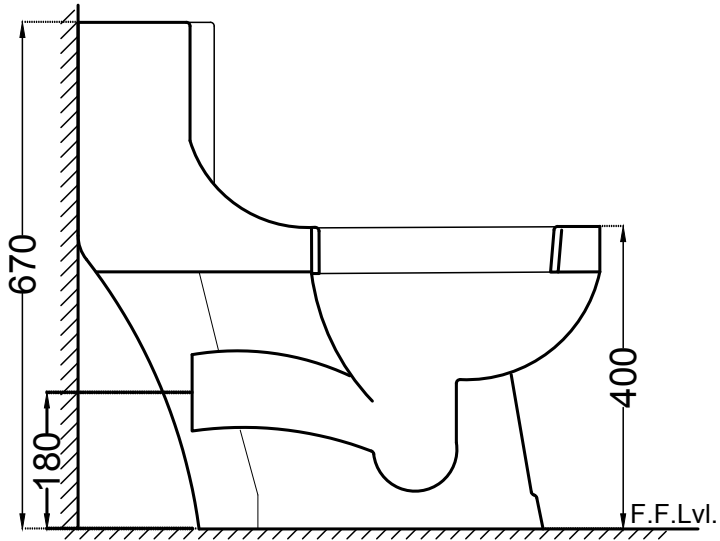
CNS-WHT-851P180SPP



TOP VIEW



BACK VIEW



SIDE VIEW

ALL DIMENSIONS ARE IN MM.  
(TOLERANCE ± 5 MM)