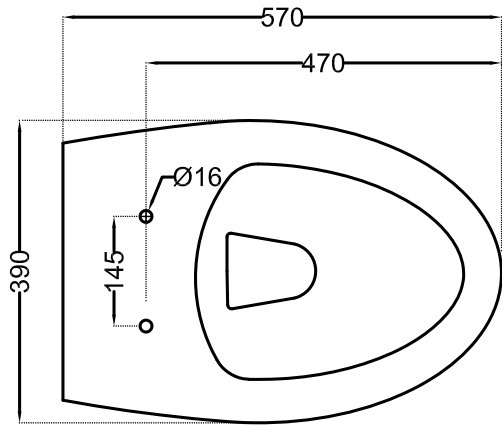
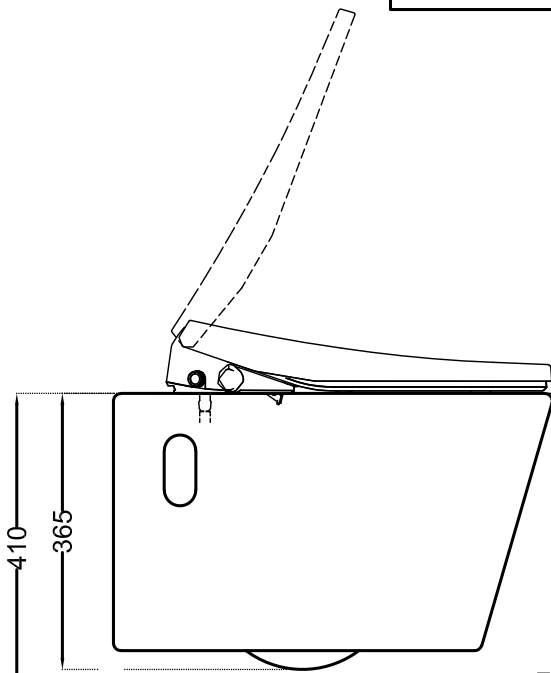


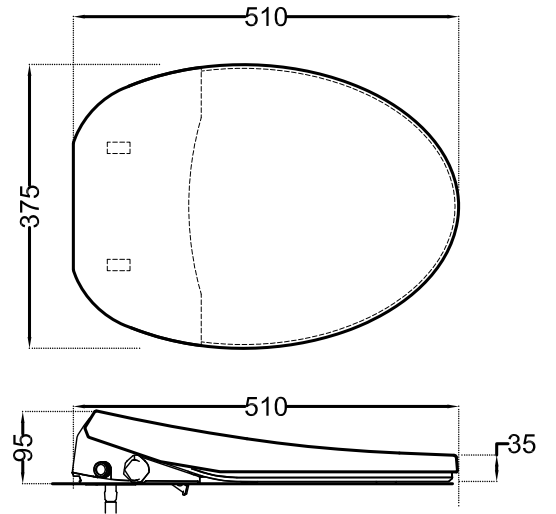
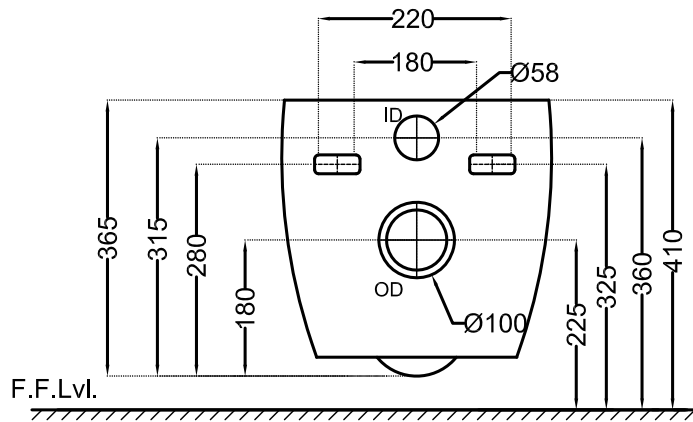
ITS-WHT-89953PP



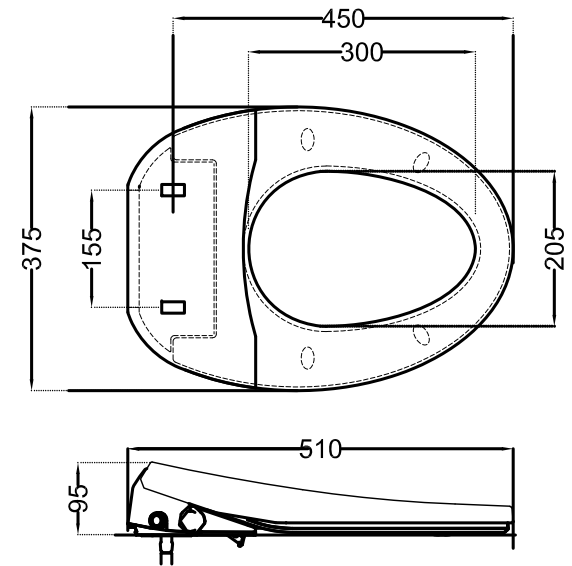
TOP VIEW



SIDE VIEW



ITS-WHT-89101 TOP



ITS-WHT-89101 BOTTOM

ALL DIMENSIONS ARE IN MM.
(TOLERANCE ± 5 MM)