



CNS-WHT-757S300SPP+CNS -WHT-209

SPECIFICATION DATA SHEET

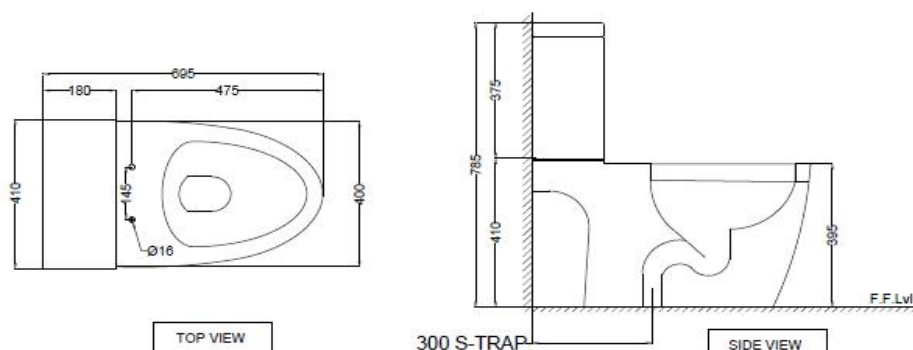
PRODUCT DETAILS

Manufacturer :	Jaquar	Type:	Bowl for coupled closet WC (P trap)
Range	Continental	Outlet	S-trap
Colour:	White	Material:	Ceramic - Vitreous China
Technical Details:	External diameter of outlet ϕ 100 +5 -2 mm	BOM doc.NO.	JSW/01/2018/0060 JSW/01/2018/0061
	Horizontal distance between the wall line and the center line of the waste outlet hole \leq 300 mm		

ARTICLE NAME: COUPLE CLOSET BOWL-WC



TECHNICAL DIMENSIONS



ALL DIMENSIONS ARE IN MM.
(TOLERANCE \pm 5 MM)

PRODUCT DIMENSIONS				USP
Length (mm)	Width (mm)	Height (mm)	Net weight (kg)	Box rim with heavy duty seat cover, Elongated bowl, Dual symphonic flushing, Anti germ glaze, Best suitable for bigger bathrooms
410	695	785	28.00	
ACCESSORIES PROVIDED				
PP Soft Close Seat cover				CNS-WHT-117S
Floor fixing screw				ZPS-SNS-FB01
Wax Seal				ZPS-WHT-1401

CARE AND CLEANING GUIDELINES

- ★ Vitreous china sanitary ware products are fragile in nature and need to be handled with care (to avoid personal injury) at all times during its storage, handling, installation and use thereafter.
- ★ The product is heavy and it is recommended that two persons hold it while it is being fixed.
- ★ Carefully inspect the new product for damage before installation.
- ★ Risk of product damage. Over tightening may cause breakage or chipping of vitreous china.
- ★ Risk of external leakage. Do not lift or rock the bowl after placement.
- ★ Always test your cleaning solution on an inconspicuous area on the product before applying it to the entire surface.
- ★ Do not allow cleaners to sit or soak on the product.
- ★ Use a soft, dampened sponge or cloth to clean. Never use abrasive material like a bristle brush or scouring pad.
- ★ Wipe surfaces clean and rinse completely with water immediately after applying cleaners.
- ★ Clean Chrome, stainless steel surfaces once a week. Do not use cleaners containing chloride on chrome, stainless steel. If used, rinse the surface immediately to prevent corrosion.
- ★ Wherever chrome plating is used on the products, use only warm water to clean and then dry with a soft cloth.

CERTIFICATION

Compliance : IS 2556.2:2004, IS 2556.1:1994 , EN 997 :2012+A1, BS EN 14124:2004/CE



All technical dimensions are in accordance to British standards, Bureau of Indian Standards

PACKAGING DETAIL				LOADING PALLET DETAIL			
Length (mm)	Width (mm)	Height (mm)	Gross Weight(kg)	Length (mm)	Width (mm)	Height (mm)	no of pieces on pallet
720	410	430	16.30	1140	1140	2285	16
430	200	390	10.75	1140	1140	2285	60



Prepared By Designer Date	Controlled By Quality control	Verified By Product Manager	Approved By Sanitaryware Head
Revision/Version	1	Plotter Updated on	Month 20-Aug Year 2019