



FLS-WHT-5353PPZ

SPECIFICATION DATA SHEET

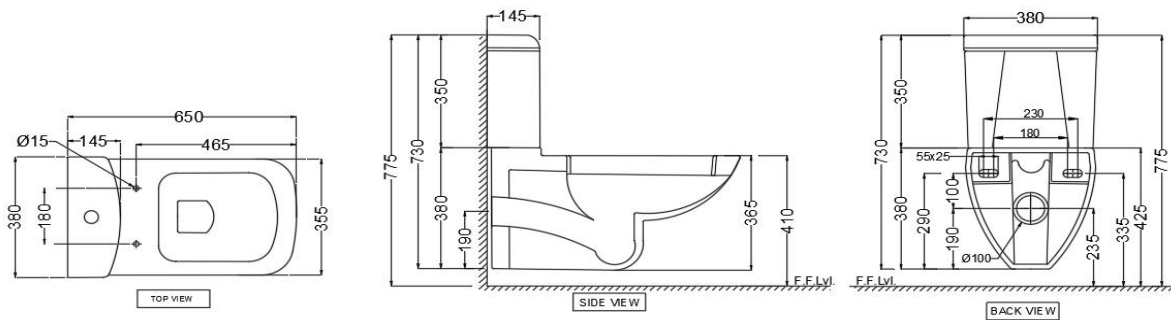
PRODUCT DETAILS

Manufacturer	Jaquar	Type	Complete Set For Extended Wall Hung WC
Colour	White	Flush valves	Dual Flush
Outlet	Horizontal	Material	Ceramic - Vitreous China
Technical Details:	External diameter of outlet hole \varnothing 100 +5/-2mm Vertical distance between the bowl edge and the centre line of the waste outlet hole \leq 190 mm		

PRODUCT IMAGE



TECHNICAL DRAWING



Product Dimension	380x650x730mm	FEATURES
Product Weight	35 KG	Convenience benefit to customer (Price + Combined packing), Rimless design, Trap glaze, Dual Flush-3/6 LPF, Anti germ glaze.

ACCESSORIES INCLUDED

PP soft Close seat cover	FLS-WHT-5101PP
Outlet gasket	ZPS-BLK-GK02
Cistern	FLS-WHT-5203C
Cistern Fittings	ZCF-WHT-FT003

CERTIFICATION

Compliance : EN 997:2012 + A1:2015 (E), SANS 497:2011



All technical dimensions are in accordance to British standards, Bureau of Indian Standards

DISCLAIMER: Our every effort has been made to ensure factual accuracy, the information presented subject to changes due to requirements in different sites, markets and/ or countries. All dimensions are in mm (Tolerance \pm 5 MM). Jaquar reserves the right to make the necessary amendments at any time without prior notice.