



ARS-WHT-39751S240UFSMZ

SPECIFICATION DATA SHEET

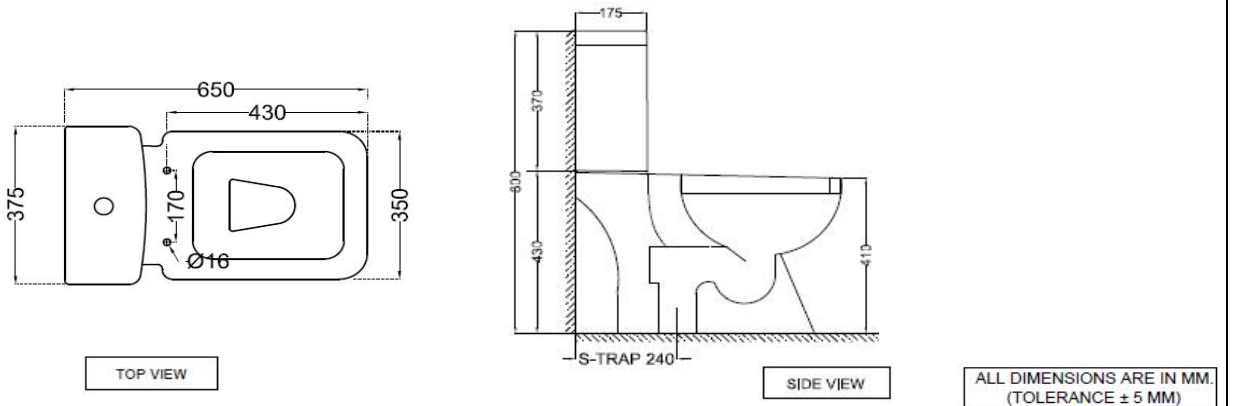
PRODUCT DETAILS

Manufacturer :	Jaquar	Type:	Complete Set For Coupled WC (S-Trap)
Colour:	White	Outlet	Vertical
Technical Details:	External diameter of outlet hole dia. $\varnothing 100 \pm 5$ mm	Material:	Ceramic - Vitreous China
	Horizontal distance between the wall line and the centre line of the waste outlet hole ≤ 240 mm		

PRODUCT IMAGE



TECHNICAL DRAWING



Product Dimension	375X650X800 mm	FEATURES Box rim with heavy duty seat cover, Dual flushing, anti germ glaze
Trap Distance	S Trap - 240 mm	
Product Weight	37.5 Kg	

ACCESSORIES INCLUDED

UF Soft Close	ARS-WHT-39105UF
Floor fixing screw	ZPS-SNS-FB01
Wax seal	ZPS-WHT-1401
Cistern	ARS-WHT-39201
Cistern Fittings	ZCF-WHT-FT003

CERTIFICATION

Compliance : IS 2556.2:2004, IS 2556.1:1994 , EN 997 :2012+A1, BS EN 14124:2004/CE
 All technical dimensions are in accordance to British standards, Bureau of Indian Standards

